

L-Classic Pump

- Max. vacuum level : **-91 kPa** (-26.87 inHg)
- Max. flow rate : **1370 NI/min** (48.43 scfm)
- Supply air pressure : **3~6bar, max 7bar**
(43.5~87 psi, max 101.5psi)
- Supply air type : Dry compressed air
- Working temperature : **-20°C ~ 80°C**
- Noise level : **50~65 dBA**



Main Advantages

This is most significant model base on the multi stage principle. Low compressed air are required for massive evacuation volumes at high vacuum flow and high vacuum level rate. Vtec air saving kit is available in this pump in order to maximum reduce the energy usage. VITON® & EPDM seals can be also stipulated as option.

Order No.

VTM25L - 1434 A - AS - A3 R3 - CL SG2 N V

①

① Model – Capacity equivalent to electricity motor pump size

- **VTM25L** – 0.25KW
- VTM50L – 0.50KW
- VTM75L – 0.75KW
- VTM100L – 1.00KW
- VTM125L – 1.25KW
- VTM150L – 1.50KW



② Connection plate

	Air port	Vacuum port	Mat'l
1412 A	G1/4"	G1/2"	Aluminum
• 1434 A	G1/4"	G3/4"	
1401 A	G1/4"	G1"	
N1412 A	NPT1/4"	NPT1/2"	
N1434 A	NPT1/4"	NPT3/4"	
N1401 A	NPT1/4"	NPT 1"	All PPS
1812 P	G1/8"	G1/2"	
1834 P	G1/8"	G3/4"	
N1812 P	NPT1/8"	NPT1/2"	
N1834 P	NPT1/8"	NPT3/4"	

※ Remark :

- Air supply port with air control valve or AS-kit : G1/4"
- PPS Mat'l is available in VTM25L ~ VTM100L

③ Air saving Kit

(108)

No mark – Standard

- **AS** – Air saving kit attached

④ Air supply control valve

- A1 – AC 110V
- A2 – AC 220V
- **A3** – DC 24V
- D1* – AC 110V
- D2* – AC 220V
- D3* – DC 24V

D.* : Double solenoid valve
Double solenoid valve is available only with 'DN' or 'DL', section ⑥

⑤ Vacuum release control valve

- R1 – AC110V
- R2 – AC220V
- **R3** – DC24V

⑥ Solenoid Terminal

DN – DIN type without lead wire

DL – DIN type with lamp without lead wire

- **CL*** – Connector type with lamp & 0.3m lead wire

2B* – DIN type with '2 in 1' BUS cable
(Air control v/v + Vacuum release v/v)

3B* – DIN type with '3 in 1' BUS cable
(Air control v/v + Vacuum release v/v + Digital switch)

* Can not available with double solenoid valve

※ Remark

CL : Available only with DC24V

3B : Available only with DC24V

Available only with 'S2' or 'S2P', section ⑦

☞ About 'BUS cable' (340, 341)

⑦ Vacuum switch

- S2(P) – Digital output 2points, No analog supply
M8-4Pin male connector (0.3m lead wire)
- **SG2(P)** – Digital output 2points, No analog supply
Grommet type 4-core 2m lead wire
- SG3(P) – Digital output 2points, Analog supply
Grommet type 4-core 2m lead wire

※ Remark : ① S.(P)

Output type : PNP open collector.

② VCM8 42 : M8-4Pin female connector, only for type S2(P)

⑧ Non-return valve

No mark – Standard

- **N** – Non-return valve

⑨ Sealing

No mark – Standard (NBR)

- **V** – Viton®
- E** – EPDM

Characteristics

Model	max.vacuum -kPa(-inHg)	Max. vacuum flow (NI/m)	air consumption (NI/m)	noise level (dBA)	weight (g)	min hose inner Ø (within 2m)		
						air supply	vacuum	exhaust
VTM25L	91 (26,87)	365	114	50 – 65	643	Ø4	Ø12	Ø12
VTM50L		622	228	50 – 65	644	Ø6	Ø15	Ø15
VTM75L		841	342	50 – 65	760	Ø8	Ø19	Ø22
VTM100L		1060	456	50 – 65	761	Ø8	Ø19	Ø22
VTM125L		1195	570	60 – 65	877	Ø10	Ø25	Ø32
VTM150L		1370	684	60 – 65	878	Ø10	Ø25	Ø32

Vacuum flow in (NI/m) at different Vacuum level (-kPa)

Model	-inHg -kPa	0	2.95	5.9	8.85	11.81	14.76	17.71	20.67	23.62	26.57
	0	10	20	30	40	50	60	70	80	90	
VTM25L	365	169	124	76	43	33	25	17	7	0.8	
VTM50L	622	327	236	149	83	65	49	33	14	1.6	
VTM75L	841	481	354	221	122	97	73	49	21	2.4	
VTM100L	1060	634	449	293	161	129	96	64	27	3.2	
VTM125L	1195	789	522	360	193	152	120	80,6	33,3	3.8	
VTM150L	1370	937	589	418	237	187	144	97,2	39,6	4,32	

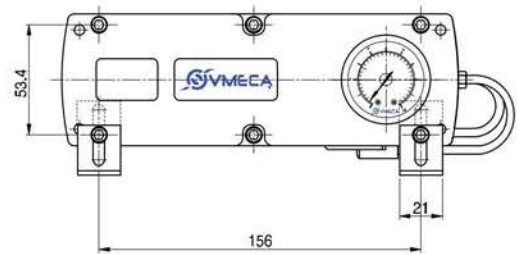
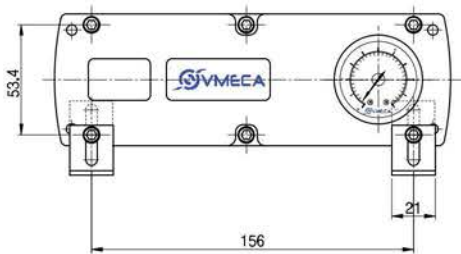
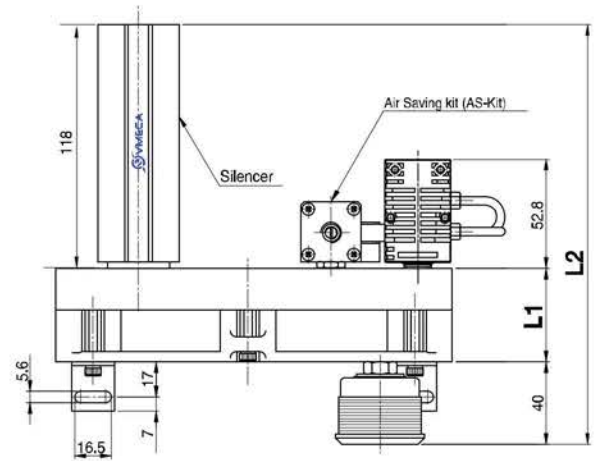
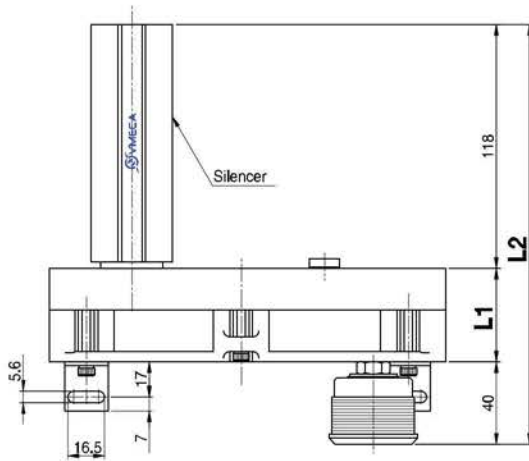
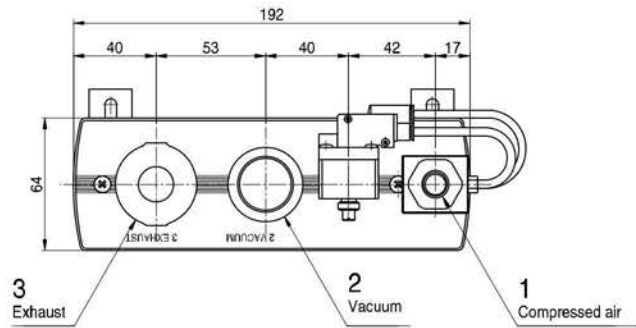
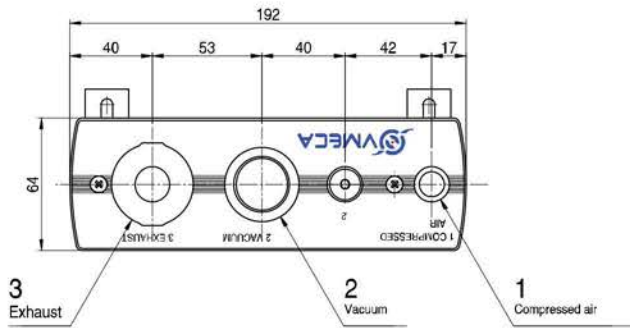
Time in seconds to evacuate to vacuum level (sec/l)

Model	-inHg -kPa	2.95	5.9	8.85	11.81	14.76	17.71	20.67	23.62	26.57
	10	20	30	40	50	60	70	80	90	
VTM25L	0,02	0,056	0,12	0,24	0,425	0,66	1,02	1,64	4,6	
VTM50L	0,013	0,032	0,062	0,12	0,221	0,33	0,51	0,85	2,3	
VTM75L	0,01	0,024	0,047	0,09	0,159	0,248	0,383	0,62	1,73	
VTM100L	0,007	0,016	0,031	0,06	0,106	0,165	0,255	0,41	1,15	
VTM125L	0,0061	0,0147	0,0302	0,053	0,089	0,143	0,215	0,36	1,01	
VTM150L	0,0051	0,0134	0,0294	0,046	0,071	0,115	0,175	0,31	0,87	

Dimensional Information

Standard

with AS - KIT



[Measure unit : mm]

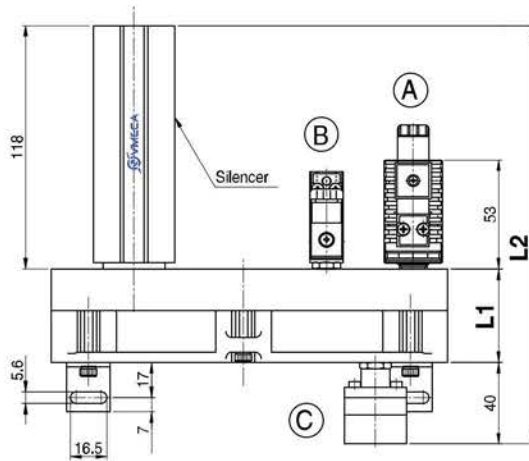
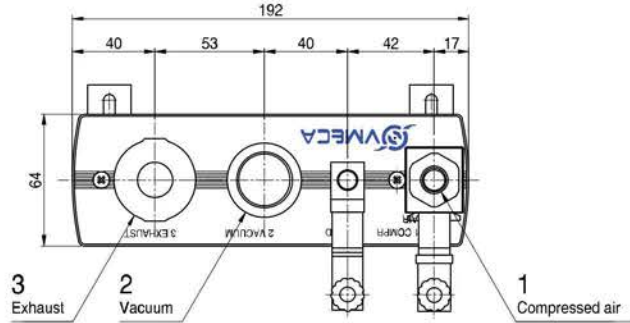
Port 1 : G1/4", NPT1/4"
 Port 2 : G1/2", G3/4", G1"
 NPT1/2", NPT3/4", NPT 1"
 Port 3 : G3/4"

Model	L1	L2
VTM25L	45.5	203.5
VTM50L	45.5	203.5
VTM75L	65	223
VTM100L	65	223
VTM125L	84.5	242.5
VTM150L	84.5	242.5

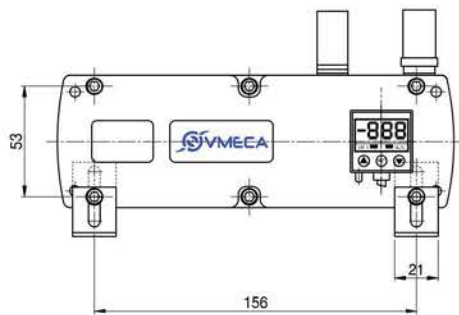
Port 1 : G1/4", NPSF1/4"
 Port 2 : G1/2", G3/4", G1"
 NPT1/2", NPT3/4", NPT 1"
 Port 3 : G3/4"

Dimensional Information

- Air supply control valve
- Vacuum release control valve
- Digital display vacuum switch



- (A) Air supply control valve
- (B) Vacuum release control valve
- (C) Digital display vacuum switch



[Measure unit : mm]

Port 1 : G1/4, NPSF1/4"
 Port 2 : G1/2", G3/4", G1"
 NPT1/2", NPT3/4", NPT 1"
 Port 3 : G3/4"

	(mm)	
Model	L1	L2
VTM25L	45.5	206.5
VTM50L	45.5	206.5
VTM75L	65	226
VTM100L	65	226
VTM125L	84.5	245.5
VTM150L	84.5	245.5